

0511

Minimum

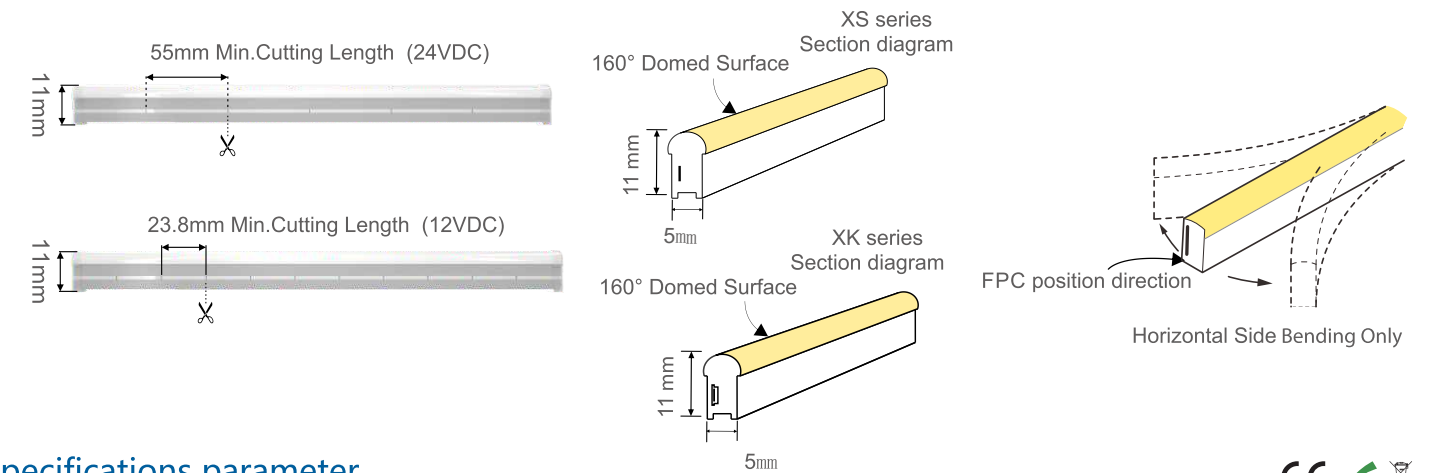
LED Flexible Neon Strip Light



Can customize different colors



physical specifications



specifications parameter



Model	XS0511/XK0511 SERIES
Input voltage	24/12VDC
Power (lm/W)	11/10W
Lumens (lm/m)	>500lm
CCT/Color	R B G A O P WW NW CW
CRI	>70; >80; >90;
FPC light direction	Vertical
LED type	SMD 2835
LED Qty/m	126LEDs
Min.cutting unit	7LEDs/3LEDs
Size	W5*H11mm
IP rating	IP68/IP65
Working temperature	-20°C~60°C

Light distribution curve

