

Side emitting for homogenous, soft & dot-free lighting

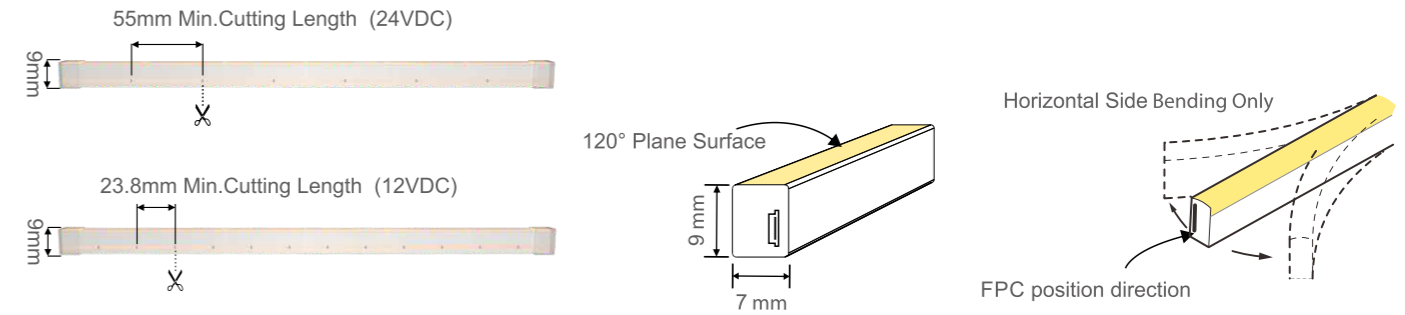
Excellent heat dissipation by using the professional structure design of flexible strip + silicone co-extrusion technology, make the cutting line clear and easy to be cut.

Outstanding weather resistance makes it in a normal-soft state at $-20 \sim +60 \text{ }^{\circ}\text{C}$, without adverse scenarios occurred such as embrittlement, deformation, softening, and aging

Varieties of protection features, up to IP65, with the resistance to saline solutions, acid & alkali, corrosive gases and UV

0709 Series

physical specifications



specifications parameter

IP65 CE RoHS

Model	XK0709 SERIES
Input voltage	24/12VDC
Power (lm/W)	11W/10W
Lumens (lm/m)	>500lm
CCT/Color	R B G A O P WW NW CW
CRI	>70; >80; >90;
FPC light direction	Vertical
LED type	SMD 2835
LED Qty/m	126LEDs
Min. cutting unit	7LEDs/3LEDs
Size	W7*H9mm
Working temperature	-20°C ~ 60°C

Light distribution curve

