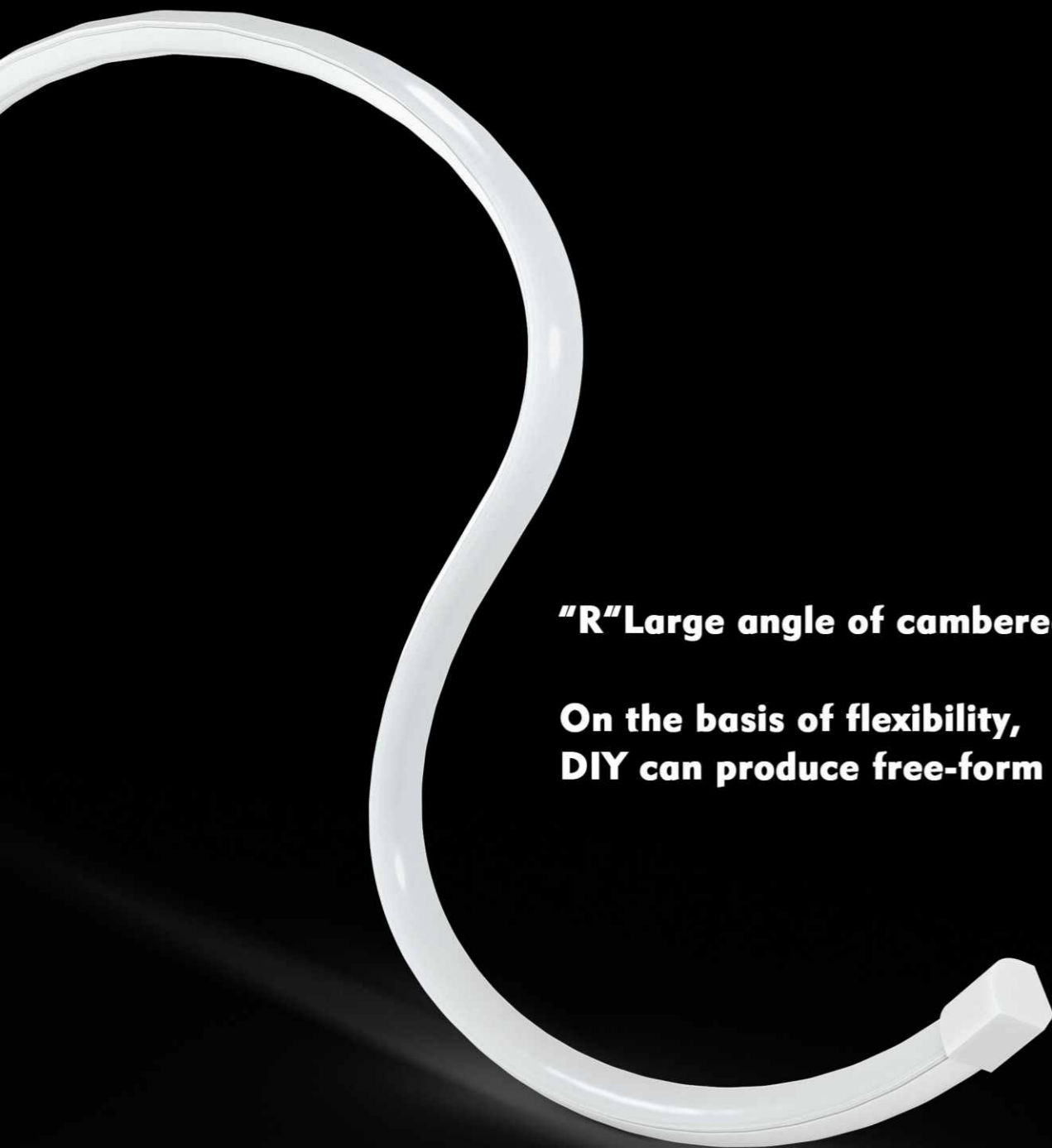


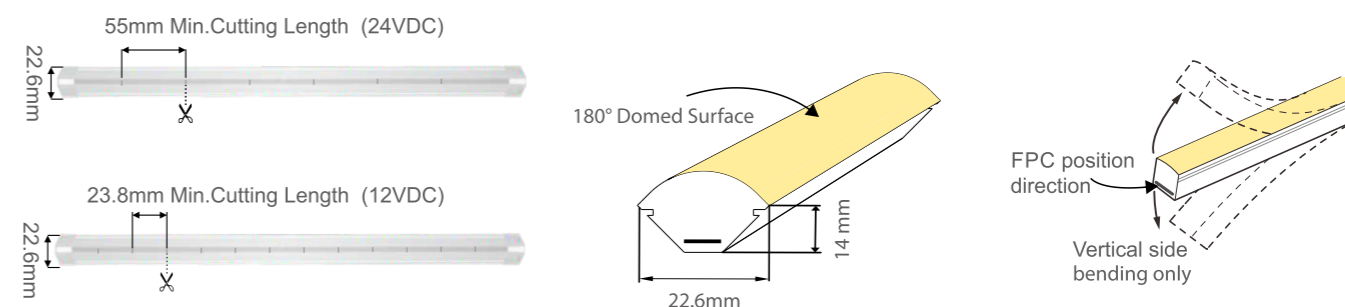
# LED Flexible Neon Strip Light 1717R



**"R" Large angle of cambered surface**

**On the basis of flexibility, DIY can produce free-form "light"**

## physical specifications



## specifications parameter

IP65 CE

Model	XK1717 SERIES
Input voltage	24/12VDC
Power (lm/W)	11W/10W
Lumens (lm/m)	>450lm
CCT/Color	<span>R</span> <span>B</span> <span>G</span> <span>A</span> <span>O</span> <span>P</span> <span>WW</span> <span>NW</span> <span>cw</span>
CRI	>70; >80; >90;
FPC light direction	Vertical
LED type	SMD 2835
LED Qty/m	126LEDs
Min.cutting unit	7LEDs/3LEDs
Size	W8*H12mm
Working temperature	-20°C ~ 60°C

## Light distribution curve

